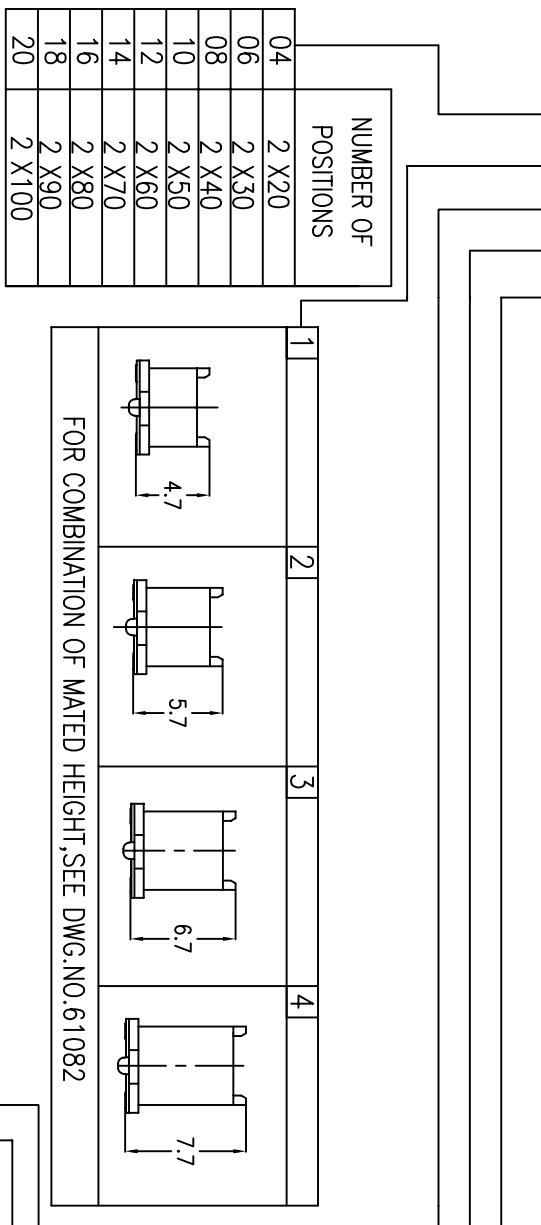


61083-



PACKAGING	
0	TUBE WITHOUT CAP
2	TAPE & REEL WITH CAP
9	TUBE WITH CAP
3	TRAY WITH CAP
6	TAPE & REEL WITHOUT CAP (WITH KAPTON TAPE)

POLARIZATION PEG	
0	YES
2	NO
4	YES

PLATING ON CONTACT AREA

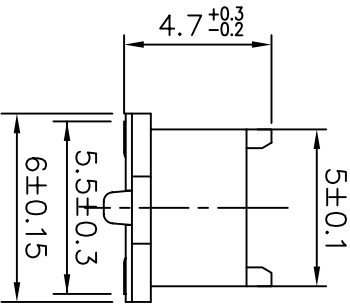
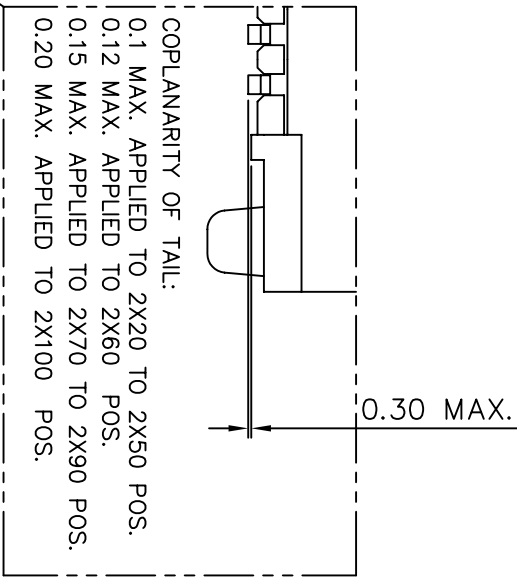
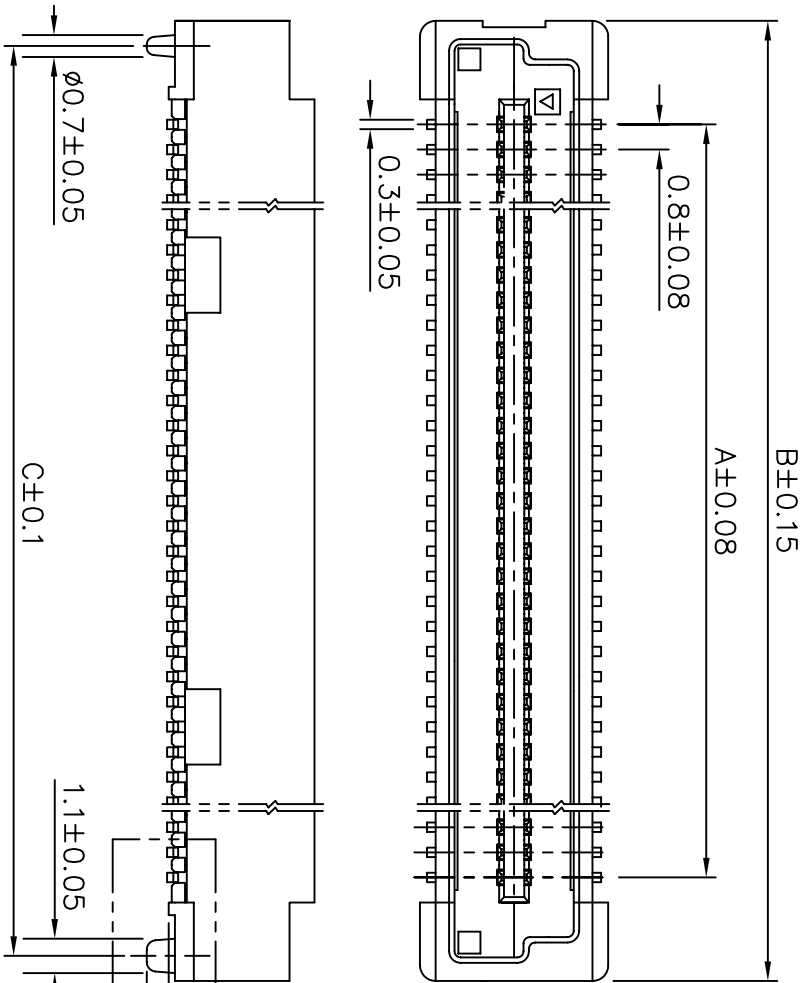
0	GOLD 0.2 um MIN. / TIN LEAD SOLDER NICKEL UNDERPLATE OVERALL 1.27 um MIN	EMPTY
1	PALLADIUM-NICKEL 0.76 um MIN. WITH GOLD FLASH (0.1 um MIN.) / TIN LEAD SOLDER NICKEL UNDERPLATE OVERALL 1.27 um MIN	EMPTY
4	GOLD 0.2 um MIN. / MATT PURE TIN ON SOLDER TAIL NICKEL UNDERPLATE OVERALL 1.27 um MIN (LEAD FREE PLATING)	LF (note 7&9.)
5	GOLD 0.38 um / MATT PURE TIN ON SOLDER TAIL NICKEL UNDERPLATE OVERALL 1.27 um MIN (LEAD FREE PLATING)	LF (note 7.)
6	PALLADIUM-NICKEL 0.76 um MIN. WITH GOLD FLASH (0.1 um MIN.) / MATT PURE TIN ON SOLDER TAIL NICKEL UNDERPLATE OVERALL 1.27 um MIN	LF (note 7&9.)

NOTES:

- MATERIAL: HOUSING: G.F.LCP UL94V-0 TERMINAL: BRASS
- PLATING: AS TABLE SHOW.
- SEE GS-12-547 FOR PRODUCT SPECIFICATION.
- SEE GS-14-551 AND GS-14-816 FOR PACKAGING SPECIFICATION.
- PACKING OPTION 3: "CUSTOMER-SPECIFIC; LIMITED TO CERTAIN SIZES" PACKING OPTION 2: NOT ALL SIZES AVAILABLE; CHECK WITH FACTORY"
- ONLY PLUG 1: 80 POSITIONS AVAILABLE. PLUG 4: 120 POSITIONS AVAILABLE.
- THIS PRODUCT MEETS EUROPEAN UNION DIRECTIVES AND OTHER COUNTRY REGULATIONS AS DESCRIBED IN GS-22-008
- THE HOUSING WILL WITHSTAND EXPOSURE TO 260°C PEAK TEMPERATURE FOR 10 SECONDS IN A CONVECTION, INFRA-RED OR VAPOR PHASE REFLOW OVEN.
- PLATING OPTION '4' IS LEADFREE ALTERNATIVE FOR OPTION '0', AND OPTION '6' IS LEADFREE ALTERNATIVE FOR OPTION '1'.
- A  $\Delta$  SYMBOL WILL BE NEXT TO ANY DIMENSION, NOTE OR VIEW WHICH HAS BEEN MODIFIED WITH THE CURRENT DRAWING REVISION.

lfr	ecp no	dr	date	tolerance unless otherwise specified	surface	projection	product family	title	dwg no	sheet 1 of 7	size
W	S07-0166	MCH	2007-05-18	angles	<input checked="" type="checkbox"/>	$\Delta$	BENGSSTAK	0.8mm BOARD TO BOARD PLUG ASSY	61083	Sheet 1 of 7	A4
X	S07-0416	MCH	2007-11-22								
Y	S08-0043	MCH	2008-02-20	0±.2							
AA	S08-0330	MCH	2008-10-08								
T	S04-0167	CH	2004-07-30	engr							
U	S05-0098	CH	2005-03-31	CH							
V	S05-0288	MCH	2005-10-14	dpd							
sheet index	revision	AA	R	R	R	R	R	R	R	R	R
	sheet	1	2	3	4	5	6	7			

PRODUCT NO.	NUMBER OF POSITIONS	DIMENSION		
		A	B	C
61083-041***	2 X20	15.2	21.8	20.2
61083-061***	2 X30	23.2	29.8	28.2
61083-081***	2 X40	31.2	37.8	36.2
61083-101***	2 X50	39.2	45.8	44.2
61083-121***	2 X60	47.2	53.8	52.2
61083-141***	2 X70	55.2	61.8	60.2
61083-161***	2 X80	63.2	69.8	68.2
61083-181***	2 X90	71.2	77.8	76.2
61083-201***	2 X100	79.2	85.8	84.2



PLUG 1

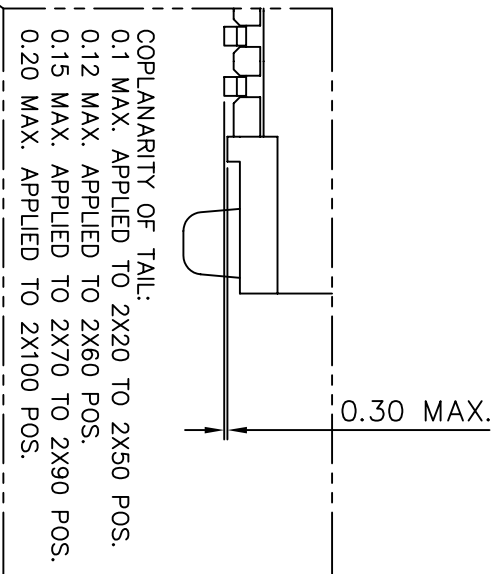
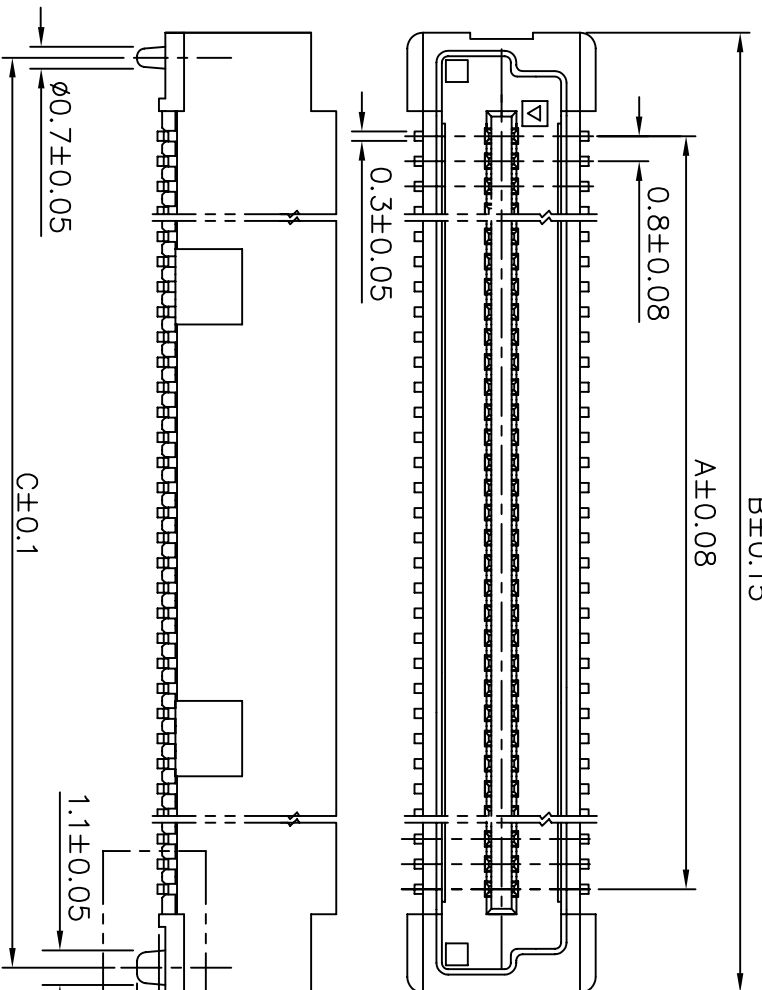
mat'l. code		surface		tolerance		projection		product family	
lfr	ecn no	dr	date	angles	tolerance unless otherwise specified	MM	title	product family	title
R	S07-0166	MCH	2007-05-18	0±2°	XXX±0.10	MM	0.8mm BOARD TO BOARD PLUG ASSY	BERGSTAK	0.8mm BOARD TO BOARD PLUG ASSY
engr	YU_WEN_CHU	1999-03-26							
chr	MACHONG	2007-05-18							
dppd	JOEY_NG	2007-05-18							
sheet index	revision	sheet	revision						



dwg no 61083 sheet 2 of 7 size A4

CUSTOMER Drawing

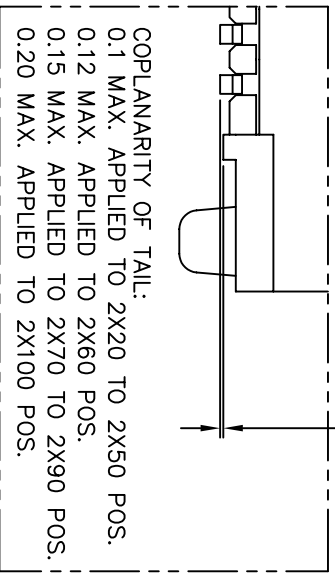
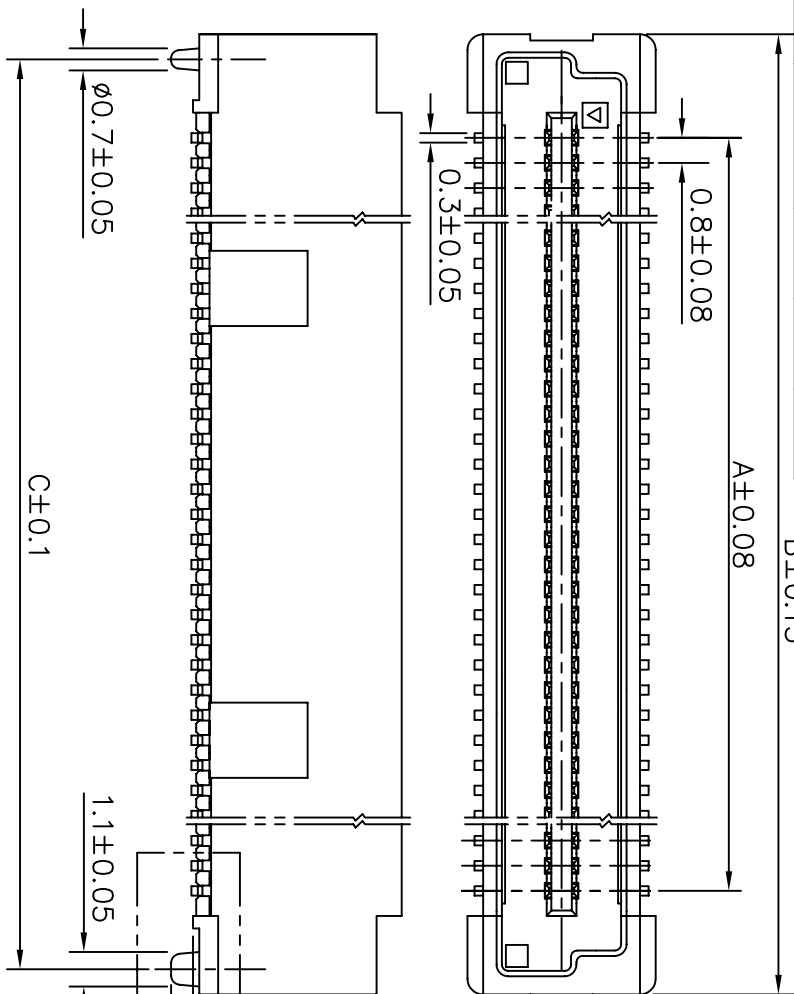
PRODUCT NO.	NUMBER OF POSITIONS	DIMENSION		
		A	B	C
61083-042***	2 X20	15.2	21.8	20.2
61083-062***	2 X30	23.2	29.8	28.2
61083-082***	2 X40	31.2	37.8	36.2
61083-102***	2 X50	39.2	45.8	44.2
61083-122***	2 X60	47.2	53.8	52.2
61083-142***	2 X70	55.2	61.8	60.2
61083-162***	2 X80	63.2	69.8	68.2
61083-182***	2 X90	71.2	77.8	76.2
61083-202***	2 X100	79.2	85.8	84.2



PLUG 2

mat'l. code		surface		tolerance		projection		product family	
lfr	ecr no	dr	date	tolerance unless otherwise specified		MM		BERGSTAK	
P				angles	XXX±0.15	MM		0.8mm BOARD TO BOARD	
R	S07-0166	MCH	2007-05-18	0±2°	XXX±0.10	scale 4:1		PLUG ASSY	
dr	MAGGLE_WU	1999-03-26						sheet 3 of 7 size	
enfr	YU_WEN_CHU	1999-03-26						61083	
chr	MACHONG	2007-05-18						CUSTOMER Drawing	
dppd	JOEY_NG	2007-05-18						A4	
sheet index	revision								

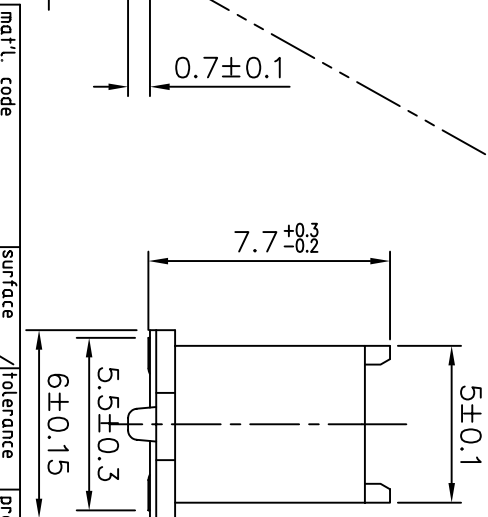
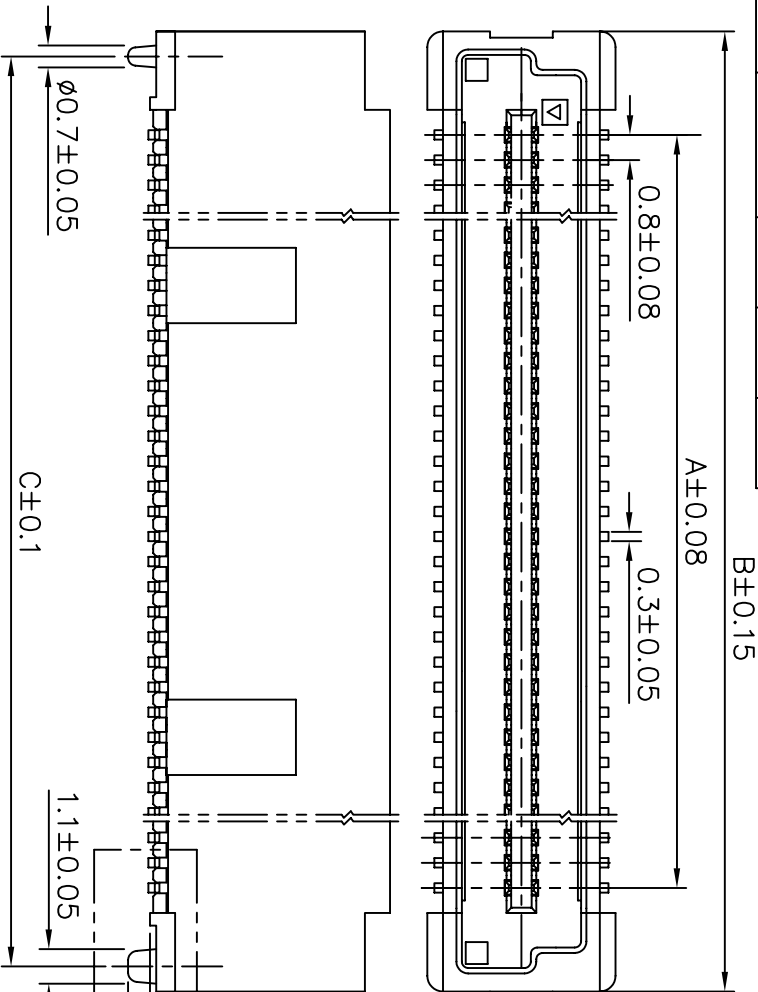
PRODUCT NO.	NUMBER OF POSITIONS	DIMENSION		
		A	B	C
61083-043***	2 X20	15.2	21.8	20.2
61083-063***	2 X30	23.2	29.8	28.2
61083-083***	2 X40	31.2	37.8	36.2
61083-103***	2 X50	39.2	45.8	44.2
61083-123***	2 X60	47.2	53.8	52.2
61083-143***	2 X70	55.2	61.8	60.2
61083-163***	2 X80	63.2	69.8	68.2
61083-183***	2 X90	71.2	77.8	76.2
61083-203***	2 X100	79.2	85.8	84.2



PLUG 3

mat'l. code		surface		tolerance		projection		product family	
lfr	ecn no	dr	date	tolerance unless otherwise specified		projection		BERGSTAK	
P				angles	XXX±0.15	MM		0.8mm BOARD TO BOARD	
R	S07-0166	MCH	2007-05-18	0±2°	XXX±0.10	4:1		PLUG ASSY	
dr		MAGGLE_WU		1999-03-26		scale		sheet 4 of 7	
engr		YU_WEN_CHU		1999-03-26		type		A4	
chr		MACHONG		2007-05-18		type		CUSTOMER Drawing	
dppd		JOEY_NG		2007-05-18		type			
sheet index	revision	sheet	revision						

PRODUCT NO.	NUMBER OF POSITIONS	DIMENSION		
		A	B	C
61083-044***	2 X20	15.2	21.8	20.2
61083-064***	2 X30	23.2	29.8	28.2
61083-084***	2 X40	31.2	37.8	36.2
61083-104***	2 X50	39.2	45.8	44.2
61083-124***	2 X60	47.2	53.8	52.2
61083-144***	2 X70	55.2	61.8	60.2
61083-164***	2 X80	63.2	69.8	68.2
61083-184***	2 X90	71.2	77.8	76.2
61083-204***	2 X100	79.2	85.8	84.2



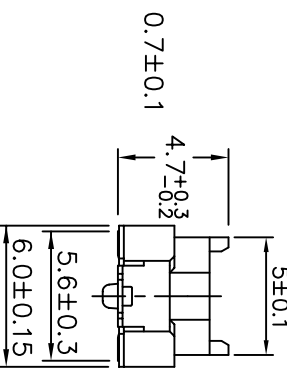
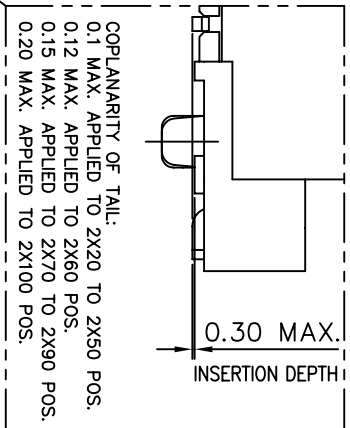
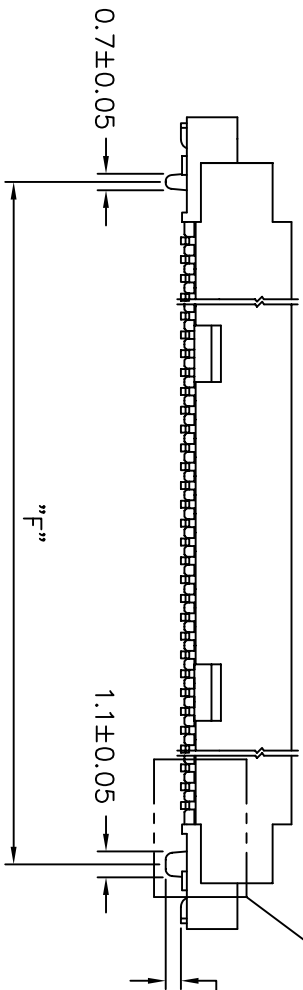
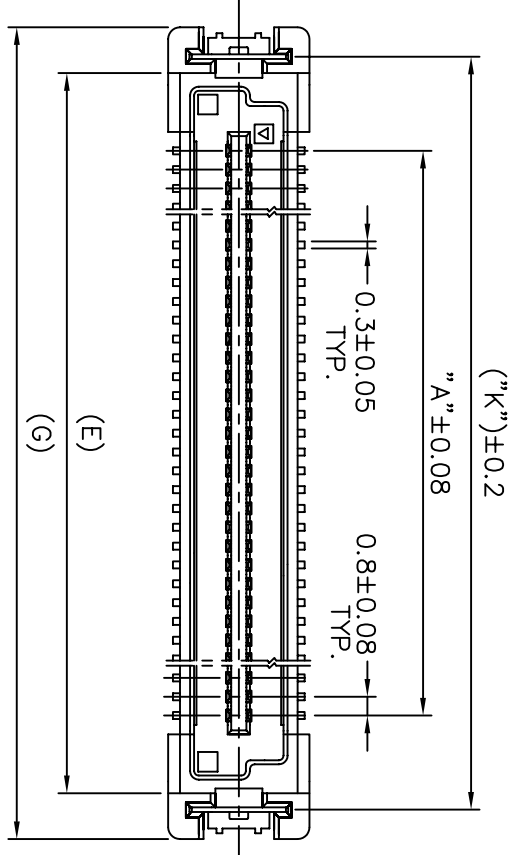
COPLANARITY OF TAIL:  
 0.1 MAX. APPLIED TO 2X20 TO 2X50 POS.  
 0.12 MAX. APPLIED TO 2X60 POS.  
 0.15 MAX. APPLIED TO 2X70 TO 2X90 POS.  
 0.20 MAX. APPLIED TO 2X100 POS.

PLUG 4

mat'l. code		surface		tolerance		projection		product family	
lfr	ecn no	dr	date	tolerance unless otherwise specified	angles	projection	title	product family	title
P						MM		BERGSTAK	
R	S07-0166	MCH	2007-05-18		XXX±0.15	MM		0.8mm BOARD TO BOARD PLUG ASSY	
					XXX±0.10	MM			
		dr	MAGGLE_WU	1999-03-26		MM			
		engr	YU_WEN_CHU	1999-03-26		MM			
		chr	MACHONG	2007-05-18		MM			
		dppd	JOEY_NG	2007-05-18		MM			
sheet index	revision	sheet	revision						



PRODUCT NUMBER	POSITIONS	DIMENSION				
		"A"	"E"	"F"	"G"	"K"
61083-081***	2 X40	31.2	37.8	36.2	41.7	39.23

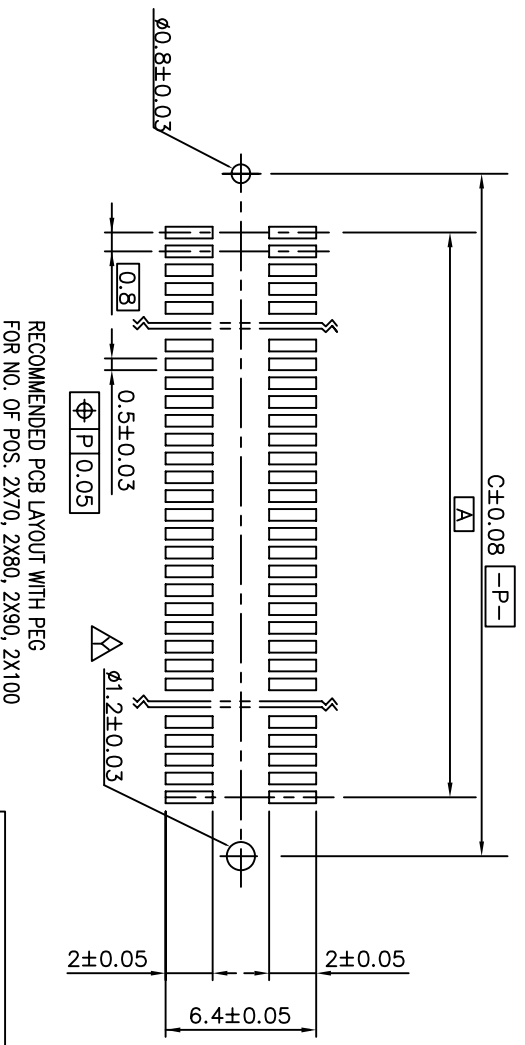
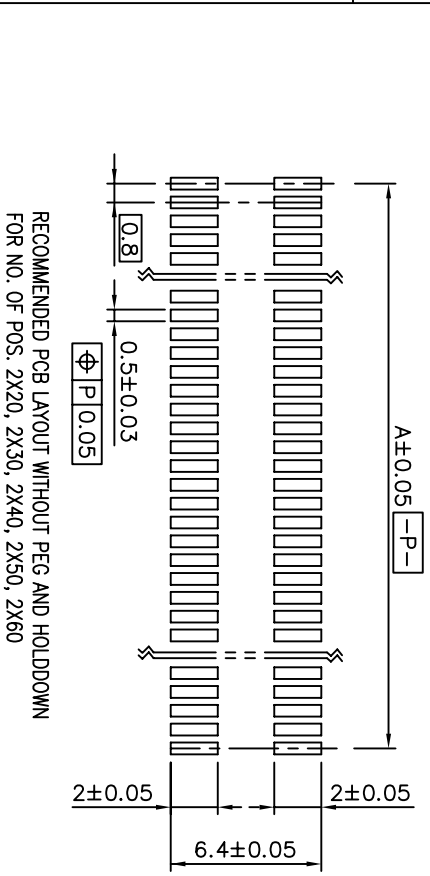
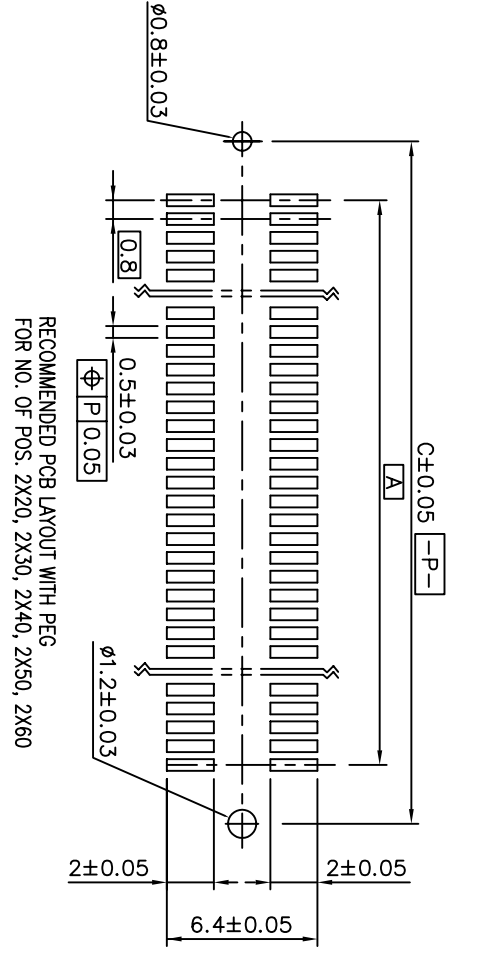
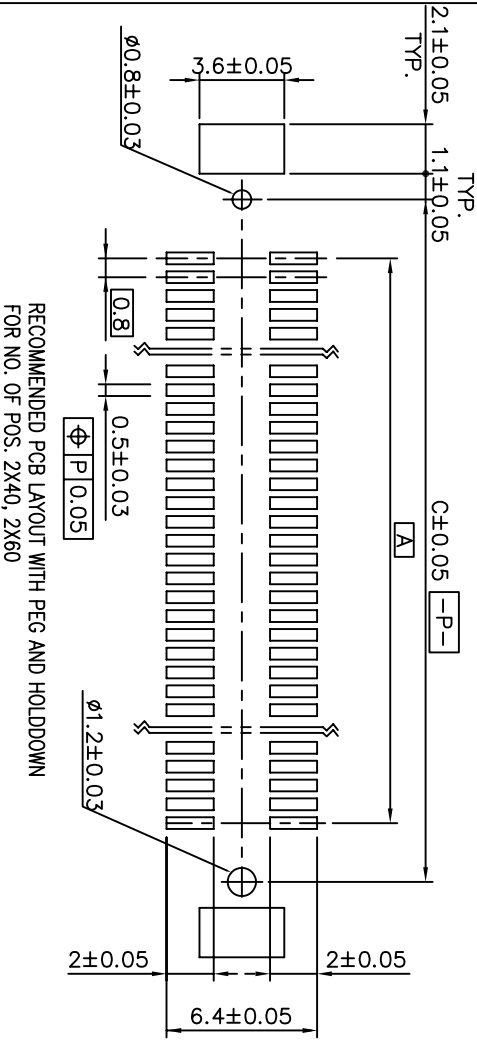


PLUG 1  
FOR HOLD DOWN

mat'l. code		surface		tolerance		projection		product family	
lfr	ecn no	dr	date						
R				tolerance unless otherwise specified				BERGSTAK	
S	S07-0166	MCH	2007-05-18	angles				0.8mm BOARD TO BOARD PLUG ASSY	
				0 ± 2	XXX ± 0.15				
		dr	MAGGLE_WU	1999-03-26	XXX ± 0.10				
		engr	YU_WEN_CHU	1999-03-26					
		chr	MACHONG	2007-05-18					
		dppd	JOEY_NG	2007-05-18					
sheet index	revision								



dwg no 61083  
sheet 6 of 7  
CUSTOMER Drawing



FOR PLUG 1/2/3/4

mat'l. code		surface		tolerance	projection	product family	
lfr	ecn no	dr	date	tolerance unless otherwise specified	MM	BERGSTAK	BERGSTAK
N	S07-0166	MCH	2007-05-18	angles	X30.20		
P	S07-0166	MCH	2007-05-18	0±2°	XXX±0.15		
R	S08-0043	MCH	2008-02-20	XXX±0.10	scale 3:1		
sheet index		revision		dr		MAGGIE_WU 1999-03-26	
				engr		YU_WEN_CHU 1999-03-26	
				chr		MACHONG 2008-02-20	
				dppd		JOEY_NG 2008-02-20	
				dwg no		61083	
				sheet 7 of 7		size A4	
				type		CUSTOMER Drawing	

0.8mm BOARD TO BOARD PLUG ASSY